



CONNECT AND PROTECT

Zonex Enclosures


nvent

HOFFMAN

SELECTION AND SPECIFICATION OF A Zonex Enclosure TO MEET YOUR APPLICATION REQUIREMENTS

CERTIFIED FOR YOUR APPLICATION REQUIREMENTS

Zonex enclosures deliver a robust solution for termination and junction enclosure applications in potentially hazardous locations, including:

- Petroleum and chemical processing
- Water treatment processing
- Pharmaceutical processing
- Grain processing

THERE ARE 2 WAYS TO DETERMINE THE CORRECT SIZE ZONEX ENCLOSURE FOR POPULATED TERMINAL BLOCKS

- Method 1: Maximum Terminal Block Count
- Method 2: Maximum Dissipated Power (watts)

*NOTE - All selection methods must adhere to maximum dissipated power for selected enclosure size.

MODIFICATION AND CUSTOMIZATION

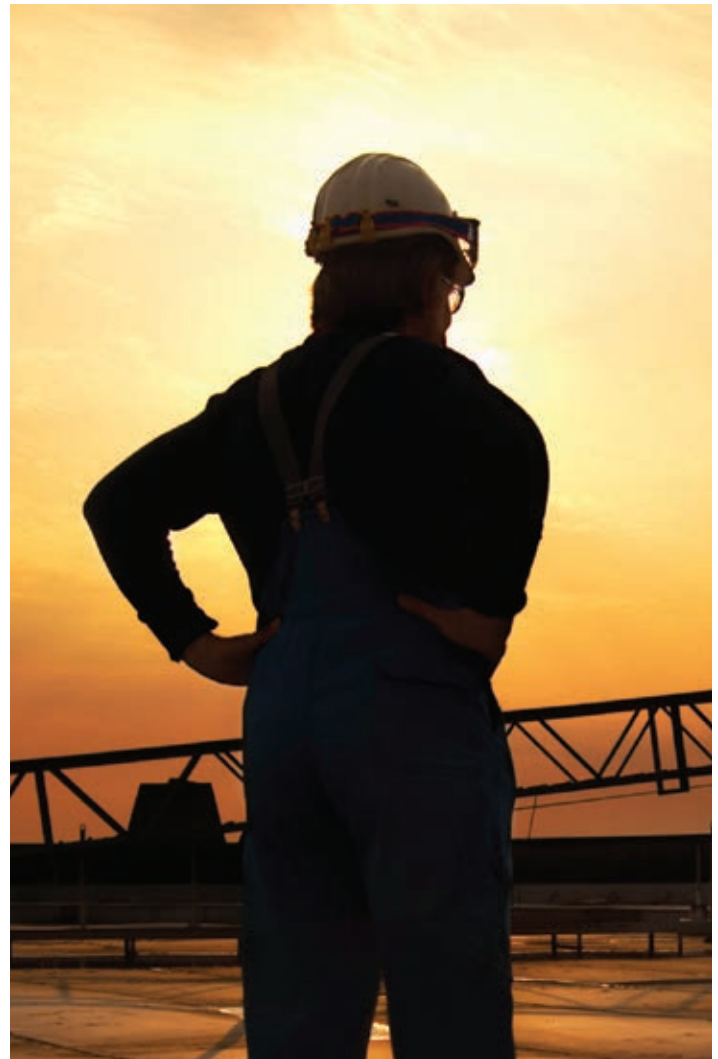
nVent HOFFMAN excels at modifying and customizing Zonex products to your specifications while maintaining ATEX and IECEx certifications. Contact your local HOFFMAN sales office or distributor for complete information. HOFFMAN offers:

- Material changes: Type 304 stainless steel, aluminum, mild steel
- Gasket changes: High-temperature silicone gasket
- Holes and cutouts
- Paint
- DIN rails
- Terminal block installation and marking
- Side-mount-brackets available
- Ground bars
- Tagging
- Accessory installations
- Zero to four gland plates*

*Hinge-cover enclosures only

CERTIFICATION MARKINGS

ATEX	IECEX	AEx / Ex
II 2 G D Ex e IIC T6 Gb (Ta -20 C to +40 C) Ex tb IIIC T85 C Db IP 66	Ex e IIC T6 Gb (Ta -20 C to +40 C) Ex tb IIIC T85 C Db IP 66	UL File No. E67546: Class I, Zone I
II 2 G D Ex e IIC T5 Gb (Ta -20 C to +55 C) Ex tb IIIC T100 C Db IP 66	Ex e IIC T5 Gb (Ta -20 C to +55 C) Ex tb IIIC T100 C Db IP 66	AEx e IIC Tamb -20 C to +60 C
		Ex e IIC Tamb -20 C to +60 C



INCREASED SAFETY "EX e"

It is assumed that the hazardous atmosphere penetrates to the enclosure interior and explosion is prevented by ensuring that either in normal operation or under fault conditions:

- There are no arcs or sparks
- No components or parts temperatures exceed the temperature limit of the corresponding temperature class

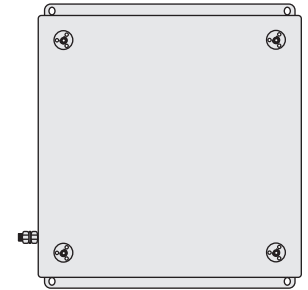
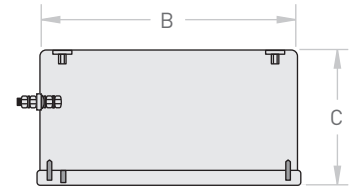
NOTES:

- ATEX and intrinsically safe certified terminal blocks can be installed in populated enclosures
- IECEx populated enclosures require IECEx certified components specifically listed in Certification (see IECEx SIR 09.0100 for more detail)
- Contact your local HOFFMAN sales office or distributor for complete information



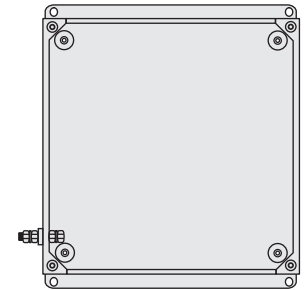
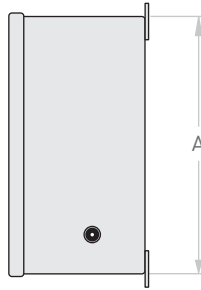
Zonex Screw-Cover

ATEX-CERTIFIED ENCLOSURES



Easy-to-remove cover Type 316 stainless steel with capivated Type 316 stainless steel cover screws for corrosion resistance

Internal weld nuts for panel or DIN rail installation



Bonding provisions, screw-cover style 6-mm internal/external brass bonding provision

Wall-mounting brackets, screw-cover style Welded-on, full-width top and bottom wall-mount brackets for easy installation

FEATURES:

- Type 316 stainless steel, #4 brushed finish on exterior surfaces
- Welded-on, full-width top and bottom wall-mount brackets for easy installation
- 6-mm internal/external brass bonding provision
- Type 316 stainless steel captivated cover screws for corrosion resistance
- One-piece continuous gasket for protection against water and dust ingress
- Internal weld nuts provided for panel or DIN rail installation

SCREW-COVER ATEX (Standard Sizes)

Catalog Number	Actual Dimensions - mm		
	A - Height	B - Width	C - Depth
EXE10210276SS6I	102	102	76
EXE152152102SS6I	152	152	102
EXE178178102SS6I	178	178	102
EXE216146127SS6I	216	146	127
EXE254254127SS6I	254	254	127



Zonex Hinge-Cover

ATEX-CERTIFIED ENCLOSURES



Wall-mounting brackets
Heavy-duty 3-mm (12 gauge) welded-on brackets on top and bottom for easy site installation



210-degree opening door that is easily removed by pulling clip style hinge pins



Bonding provisions 10-mm brass internal/external bonding provisions



Continuous gasket seal on the door and gland plate for protection against water and dust ingress



Internal studs for panel or DIN rail mounting



Type 316 stainless steel slotted 1/4-turn insert for easy access and closure



Fabricated and formed entries for gland plate screws provide quick and easy installation



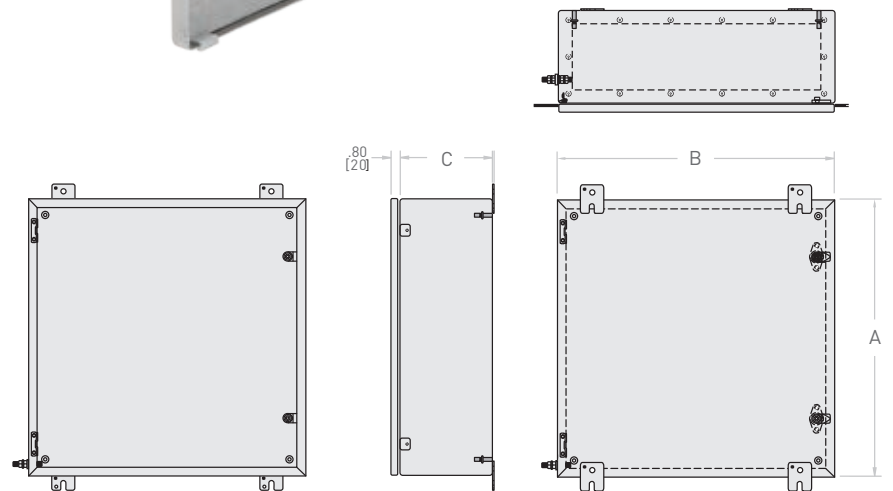
Full-size gland plate 3-mm thick (12 gauge) flat bottom gland plate with bonding stud and continuous gasket seal

Zonex Hinge-Cover

ATEX-CERTIFIED ENCLOSURES

FEATURES:

- Type 316 stainless steel, #4 brushed finish on exterior surfaces
- Type 316 stainless steel slotted ¼-turn insert(s) for easy access and closure
- 210 degree opening door that is easily removed by pulling clip style hinge pins
- Heavy-duty 3-mm (12 gauge) welded-on wall-mounting brackets on the top and bottom for easy site installation
- 3-mm thick (12 gauge) full-size bottom gland plate with bonding stud
- Fabricated and formed entries for gland plate screws provide quick and easy installation
- Continuous gasket seal on the door and gland plate for protection against water and dust ingress
- 10-mm brass internal/external bonding provision



HINGE-COVER ATEX (Standard Sizes)

Catalog Number	Actual Dimensions - mm		
	A - Height	B - Width	C - Depth
EXE305305152SS61I	305	305	152
EXE305305203SS61I	305	305	203
EXE406305152SS61I	406	305	152
EXE406305203SS61I	406	305	203
EXE406406152SS61I	406	406	152
EXE406406203SS61I	406	406	203
EXE508406152SS61I	508	406	152
EXE508406203SS61I	508	406	203
EXE508508203SS61I	508	508	203
EXE610508203SS61I	610	508	203
EXE610610203SS61I	610	610	203
EXE610610305SS61I	610	610	305
EXE762508203SS61I	762	508	203
EXE762610203SS61I	762	610	203
EXE762762305SS61I	762	762	305
EXE914610203SS61I	914	610	203



ENCLOSURE TYPE / CATALOG NUMBER NOMENCLATURE

Actual Dimensions - mm		
EXE	HINGE-COVER ENCLOSURE	
	Standard dimensions, mounting brackets on the top and bottom, 1 gland plate	
ex. EXE508406203SS61	DIMENSIONS	Height, Width, Depth (in mm)
	MATERIALS	Type 316 stainless steel - standard
	STANDARD GLAND PLATE OPTIONS	1 – Number of gland plates on enclosure (bottom)
EXE	HINGE-COVER ENCLOSURE	
	Standard INCH dimensions, mounting brackets on the top and bottom	
ex. EXE254254127	DIMENSIONS	Nominal INCH dimensions (height, width, depth)
	MATERIALS	Type 316 stainless steel – standard

INTEGRATED JUNCTION BOXES

In response to the increasing demand for integration of increased safety ATEX/IECEX approved enclosures, Hoffman has developed an option of providing Integrated Junction Boxes.

These Integrated Junction Boxes shall provide the following benefits to the customer :

- Enclosures to be integrated with either Phoenix Contact or Weidmuller Terminal blocks.
- Modify Enclosure with Holes, Cutouts & Tags.
- Provide ATEX / IECEX certificate for the assembly
- Faster & efficient delivery through the network of authorized distributors.



NONSTANDARD OPTIONS

Catalog Number Code		
SIZE CHANGES	ACTUAL DIMENSIONS - MM	
EXE	Hinge-covers only	/SPL
MATERIAL OPTIONS		
SS6	Type 316 stainless steel	/SPL
SS4	Type 304 stainless steel	/SPL
AL	Aluminum	/SPL
MS	Painted mild steel (61 gray)	/SPL
MOUNTING BRACKET OPTIONS		
H	Change top/bottom to sides (horizontal)	/SPL
V	Change sides to top/bottom (vertical)	/SPL
NUMBER OF GLAND PLATES		
0	No gland plate	/SPL
1	1-gland plate in the bottom (standard)	/SPL
2	Gland plates on sides only	/SPL
3	Gland plates on bottom and sides	/SPL
4	Gland plates on top, bottom and sides	/SPL
SPECIAL OPTIONS		
	Holes and cutouts	/SPL
	Terminal block installation	/SPL
	Terminal block marking	/SPL
	Enclosure tagging	/SPL
	Drains and breathers	/SPL
	Paint	/SPL
	Silicone gasket	/SPL
	Change ¼-turn insert (slotted or 3-mm double bit)	/SPL
	Install single point stainless steel handle	/SPL
	Install ground bar provision	/SPL
	Install door stop (hinge-covers)	/SPL
	Holes in door flange for metal tag	/SPL
	Other	/SPL

Consult HOFFMAN Sales Representative for Nonstandard Designs

ATEX-CERTIFIED ACCESSORIES



LARGE-VOLUME ATEX PURGE SYSTEM TYPE Y, Z AND Ex [PZ]

Designed to supply one or more enclosures with a protective gas supply, HOFFMAN's Ex [pz] purge system is designed and certified according to European requirements of ATEX Directive 94/9 EC and EN60079-2 for Type Ex [pz] applications. ATEX-certified Ex [pz] purge systems reduce the classification in the protected enclosure from Zone 2 to non-hazardous, allowing the use and operation of general purpose equipment in the protected enclosure. Used as a Type Y purge reduces classification from Div. 1 to Div. 2. Type Z purge reduces classification from Div. 2 to Non-Hazardous.

Purge/pressurization systems can be used for electronics, electrical equipment, motors and switch gear in wall-mount to large enclosures, and also meet the demands of rack-mounted instrumentation, video displays, programmable controllers, computers, printers, recorders and measurement and calibration equipment. Available for 90 cubic feet maximum enclosure volume in vertical mount (VM) or horizontal mount (HM) models.



INDUSTRY STANDARDS (VOLUME UP TO 90 CUBIC FEET)

3003 WPSA

Type Y System UL and FM Certified: Class I, Division 1 Group A,B,C, and D/Zone 1, Groups IIB and H2 to Division 2/Zone 2

Type Z System UL and FM Certified: Class 1, Division 2 Group A,B,C, and D/Zone 2, Groups IIB and H2 to Non-hazardous

ATEX Certified II 3 (3) G Ex [pz] II, $-29\text{ C} \leq T_{amb.} \leq 49\text{ C}$



HAZARDOUS LOCATION THERMOSTAT

For temperature control of heaters or low-temperature alarms in enclosures used in explosion-hazardous areas, HOFFMAN's Hazardous Location Thermostat features compact design and a robust thermostatic bimetallic sensor element for >100,000 cycle service life. The thermostat is usually connected directly and switched without the need for additional relays and offers high switching capacity with small hysteresis (switching difference).



HAZARDOUS LOCATION HEATER

Designed for use in hazardous locations where electronic components require protection from condensation and corrosion, sudden temperature drops and low temperatures, HOFFMAN's Hazardous Location Heater offers maintenance-free, high-performance heating with a large convection surface, an extruded aluminum heat sink and 110-120 VAC operation.

North America

Minneapolis, MN	Tel: +1.763.421.2240
Mexico City, Mexico	Tel: +52.55.5280.1449
Toronto, Canada	Tel: +1.416.289.2770

South America

Sao Paulo, Brazil	Tel: +55.11.5184.2100
Boituva, Brazil	Tel: +55.15.3363.9148

Middle East & India

Dubai, United Arab Emirates	Tel: +971.4.378.1700
Bangalore, India	Tel: +91.80.6715.2001

Europe

Betschdorf, France	Tel: +33.3.88.90.64.90
Straubenhardt, Germany	Tel: +49.7082.794.0
Dzierzoniow, Poland	Tel: +48.74.64.63.900
Assago, Italy	Tel: +39.02.5776151.224

Asia

Shanghai, P.R. China	Tel: +86.21.2412.6943
Singapore	Tel: +65.6768.5800
Shin-Yokohama, Japan	Tel: +81.45.476.0271
Seoul, Korea	Tel: +82.2.2129.7755
Qingdao	Tel: +86.532.8771.6101

Our powerful portfolio of brands:

CADDY ERICO HOFFMAN RAYCHEM SCHROFF TRACER



[nVent.com/HOFFMAN](https://www.nVent.com/HOFFMAN)