

TYPE 4X STAINLESS STEEL FREE-STAND ENCLOSURE



This HOFFMAN branded enclosure from nVent has been specially designed for housing systems with large components or complex mounting configurations – in harsh environments. Three-point latching and sealing provide industry-leading protection from dust, dirt, oil and water.

The enclosure is for housing motor starters, drives, contractors and PLCs, as well as a wide variety of other electrical and electronic equipment. It is used extensively in oil and gas, pulp and paper, chemical, food and beverage, pharmaceutical, textile and similar industries. The new design with double access is ideally suited for the mounting of physically large, heavy duty devices where tight sealing (IP rate) is important.

INDUSTRY STANDARDS

UL 508A Listed; Type 4, 4X, 12; File No. E61997

cUL Listed per CSA C22.2 No. 94; Type 4, 4X, 12; File No. E61997

IEC EN 60529, IP66;

IEC EN 62208;

NEMA Type 4, 4X, 12

SPECIFICATIONS

Standards based design

Thickness 2 and 2.5mm, stainless steel type AISI 304 (EN 1.4301) or 316L (1.4404)

External surface body and door smoothed # 4 brushed finish,

$Ra \leq 0,6\mu m$, smooth internal surface (2B)

Heavy-duty three-point latching mechanism operated by type 316 stainless steel handle

Seams continuously welded and ground smooth

Two-door enclosures are provided with a removable center post for easy mounting plate installation

Bottom gland plates, 3.0mm removable from inside, with grounding stud

Seamless foam-in-place polyurethane gasket assures a water-tight and dust-tight seal

Welded base plinth 100mm included, with front and rear removable cover for easy cable entry. Modular plinth available on request.

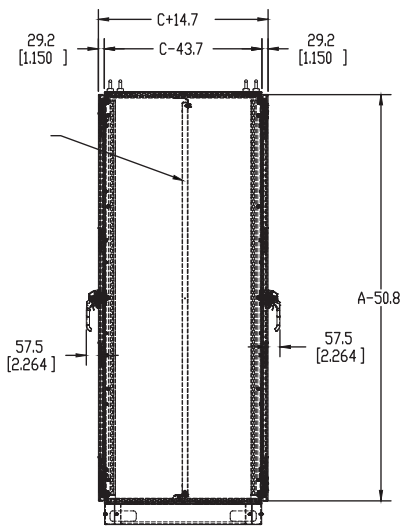
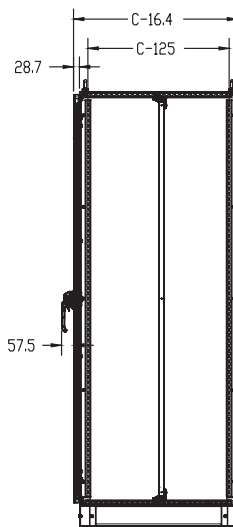
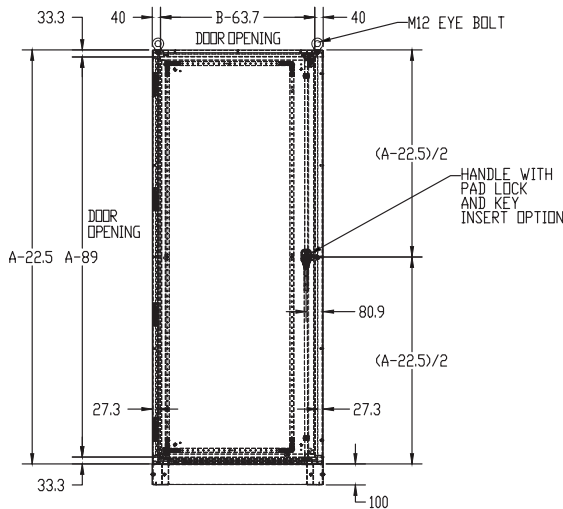
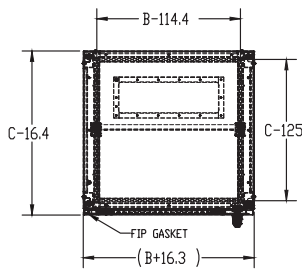
Symmetrical, 130-degree opening, reinforced door with concealed stainless steel hinging

Mounting panel galvanized steel 120 GSM

Internal mounting rails are fitted horizontally and vertically at top, bottom and side to mount the mounting panel and accessories.

STANDARD PRODUCT, SINGLE DOOR

Catalogue No.	Description	Material	A [mm]	B [mm]	C [mm]	"Body Thickness [mm]"	"Door Thickness [mm]"	No. of Mounting Plate(s) Included	Mounting Plate Thickness [mm]	No. of Gland Plate(s) Included	Gland Plate Size (mm)
FS150544SSK1	Single Access,304 Std Duty	SS 304	1500	500	400	2	2	1	2	1	226x146
FS180634SSK1	Single Access,304 Std Duty	SS 304	1800	600	300	2	2	1	2	1	226x146
FS180644SSK1	Single Access,304 Std Duty	SS 304	1800	600	400	2	2	1	2	1	226x146
FS180654SSK1	Single Access,304 Std Duty	SS 304	1800	600	500	2	2	1	2	1	226x146
FS180834SSK1	Single Access,304 Std Duty	SS 304	1800	800	300	2	2	1	2	1	526x146
FS180844SSK1	Single Access,304 Std Duty	SS 304	1800	800	400	2	2	1	2	1	526x146
FS180864SSK1	Single Access,304 Std Duty	SS 304	1800	800	600	2	2	1	2	1	526x196
FS200634SSK1	Single Access,304 Std Duty	SS 304	2000	600	300	2	2	1	3	1	326x146
FS200644SSK1	Single Access,304 Std Duty	SS 304	2000	600	400	2	2	1	3	1	326x146
FS200664SSK1	Single Access,304 Std Duty	SS 304	2000	600	600	2	2	1	3	1	326x196
FS200834SSK1	Single Access,304 Std Duty	SS 304	2000	800	300	2	2	1	3	1	526x146
FS200844SSK1	Single Access,304 Std Duty	SS 304	2000	800	400	2	2	1	3	1	526x146
FS200864SSK1	Single Access,304 Std Duty	SS 304	2000	800	600	2	2	1	3	1	526x196
FS200884SSK1	Single Access,304 Std Duty	SS 304	2000	800	800	2	2	1	3	1	526x196
FS150546SSK1	Single Access,316 Std Duty	SS 316	1500	500	400	2	2	1	2	1	226x146
FS180656SSK1	Single Access,316 Std Duty	SS 316	1800	600	500	2	2	1	2	1	326x146
FS180866SSK1	Single Access,316 Std Duty	SS 316	1800	800	600	2	2	1	2	1	526x196
FS200666DHK2	Dual Access,316 Heavy Duty	SS 316	2000	600	600	2.5	2.5	2	3	2	326x196
FS200666SSK1	Single Access,316 Std Duty	SS 316	2000	600	600	2	2	1	3	1	326x196
FS200866DHK2	Dual Access,316 Heavy Duty	SS 316	2000	800	600	2.5	2.5	2	3	2	526x196
FS200866SSK1	Single Access,316 Std Duty	SS 316	2000	800	600	2	2	1	3	1	526x196
FS200886DHK2	Dual Access,316 Heavy Duty	SS 316	2000	800	800	2.5	2.5	2	3	2	526x196
FS200886SSK1	Single Access,316 Std Duty	SS 316	2000	800	800	2	2	1	3	1	526x196

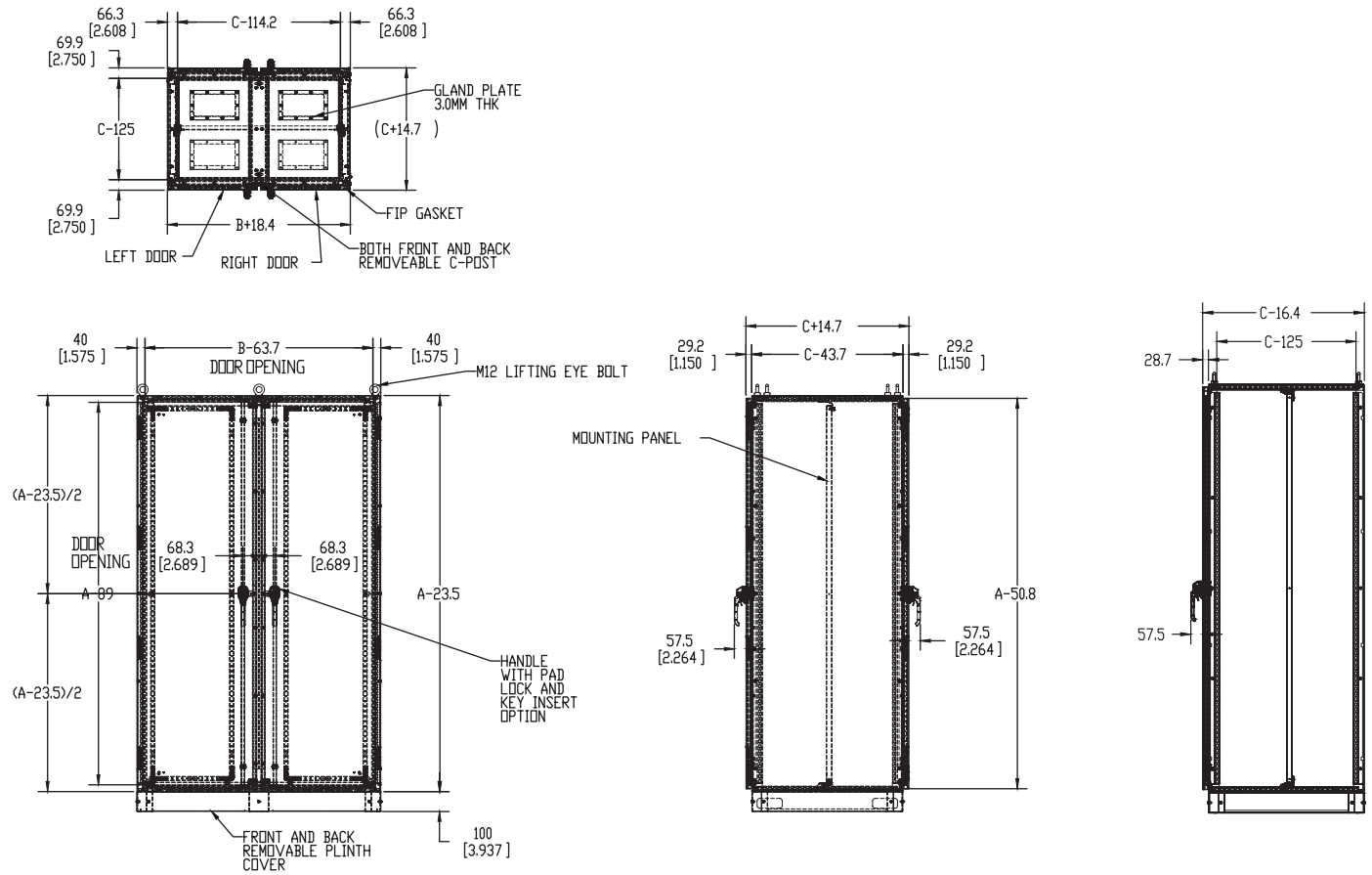


Notes

- 1.Latch is handle with pad locking and key insert.
- 2.Hinges are SS316 material and 100mm length.
3. Mounting plate is GI-120GSM material.

STANDARD PRODUCT, TWO DOORS

Catalogue No.	Description	Material	A [mm]	B [mm]	C [mm]	"Body Thickness [mm]"	"Door Thickness [mm]"	No. of Mounting Plate(s) Included	Mounting Plate Thickness [mm]	No. of Gland Plate(s) Included	Gland Plate Size (mm)
FS201244SHK1	Single Access,304 Heavy Duty	SS 304	2000	1200	400	2.5	2.5	1	3	2	326x146
FS201264SHK1	Single Access,304 Heavy Duty	SS 304	2000	1200	600	2.5	2.5	1	3	2	326x196
FS201284SHK1	Single Access,304 Heavy Duty	SS 304	2000	1200	800	2.5	2.5	1	3	2	326x196
FS201246SHK1	Single Access,316 Heavy Duty	SS 316	2000	1200	400	2.5	2.5	1	3	2	326x146
FS201266SHK1	Single Access,316 Heavy Duty	SS 316	2000	1200	600	2.5	2.5	1	3	2	326x196
FS201286DHK2	Dual Access,316 Heavy Duty	SS 316	2000	1200	800	2.5	2.5	2	3	4	326x196
FS201286SSK1	Single Access,316 Std Duty	SS 316	2000	1200	800	2	2	1	3	2	326x196



Notes

1. Latch is handle with pad locking and key insert.
2. Hinges are SS316 material and 100mm length.
3. Mounting plate is GI-120GSM material.

ACCESSORIES

19" RACK ANGLES

Item number	Description	Fits Frame	Rack Units
PRA197TH	Rack angles, 19 in. thru-hole (2)	700	13
PRA197TP	Rack angles, 19 in. tapped (2)	700	13
PRA198TH	Rack angles, 19 in. thru-hole (2)	800	16
PRA198TP	Rack angles, 19 in. tapped (2)	800	16
PRA1914TH	Rack angles, 19 in. thru-hole (2)	1400	29
PRA1914TP	Rack angles, 19 in. tapped (2)	1400	29
PRA1916TH	Rack angles, 19 in. tapped (2)	1600	33
PRA1916TP	Rack angles, 19 in. tapped (2)	1600	33
PRA1918TH	Rack angles, 19 in. thru-hole (2)	1800	38
PRA1918TP	Rack angles, 19 in. tapped (2)	1800	38
PRA1920TH	Rack angles, 19 in. thru-hole (2)	2000	42
PRA1920TP	Rack angles, 19 in. tapped (2)	2000	42
PRA1922TH	Rack angles, 19 in. thru-hole (2)	2200	47
PRA1922TP	Rack angles, 19 in. tapped (2)	2200	47

FLOOR STAND KIT

Item number	Description	L mm	Height H (mm)	Width C (mm)
AFK0610SS	Floor stand kit StSt (Qty 2)	231	152	256
AFK0612SS	Floor stand kit StSt (Qty 2)	231	152	306
AFK0618SS	Floor stand kit StSt (Qty 2)	231	152	459
AFK1208SS	Floor stand kit StSt (Qty 2)	231	305	205
AFK1212SS	Floor stand kit StSt (Qty 2)	231	305	306
AFK1216SS	Floor stand kit StSt (Qty 2)	231	305	408
AFK1218SS	Floor stand kit StSt (Qty 2)	231	305	459
AFK1808SS	Floor stand kit StSt (Qty 2)	231	457	205
AFK1810SS	Floor stand kit StSt (Qty 2)	231	457	256
AFK1812SS	Floor stand kit StSt (Qty 2)	231	457	306
AFK1816SS	Floor stand kit StSt (Qty 2)	231	457	408
AFK2408SS	Floor stand kit StSt (Qty 2)	231	610	205
AFK2416SS	Floor stand kit StSt (Qty 2)	231	610	408

DOOR STOP KIT

Item number	Description
ADSTOPKSS6	Door stop kit SS316

DATA POCKET

Item number	Description
ADP1	Data pocket, small
ADP2	Data pocket, large

Middle East & Africa

Dubai, United Arab Emirates

Tel: +971.4.378.1700

Bangalore, India

Tel: +491.80.6715.2001

Asia

Shanghai, P.R. China

Tel: +86.21.2412.6943

Singapore

Tel: +65.6768.5800

Shin-Yokohama, Japan

Tel: +81.45.476.0271

Seoul, Korea

Tel: +82.2.2129.7755

Qingdao

Tel: +86.532.8771.6101

Europe

Betschdorf, France

Tel: +33.3.88.90.64.90

Straubenhardt, Germany

Tel: +49.7082.794.0

Dzierzoniow, Poland

Tel: +48.74.64.63.900

Lainate, Italy

Tel: +39.02.932.7141

North America

Minneapolis, MN

Tel: +1.763.421.2240

Mexico City, Mexico

Tel: +52.55.5280.1449

Toronto, Canada

Tel: +1.416.289.2770

South America

Sao Paulo, Brazil

Tel: +55.11.5184.2100

Boituva, Brazil

Tel: +55.15.3363.9148



Our powerful portfolio of brands:

CADDY ERICO HOFFMAN RAYCHEM SCHROFF TRACER