

Universal Free-Stand

Get to your next project faster!

These standard enclosures ship faster, modify & assemble faster and increase safety, providing you and your customers more time.

01

Faster Design

Six base enclosures with universal type ratings 4x, 4, 12, 3R, IP66 and IK10 can be configured to meet customers large enclosure needs.

02

Reduce Labor

Lighter doors, improved center post, panel glider, and state-of-the-art interlock can help cut installation costs.

03

Improved Safety

Easily separate voltage with Barrier Panels, False floor, and Sequester for disconnect isolation and false floor for cable protection.



BASE ENCLOSURES



Use right side open enclosure to end solution without needing an end plate.



Use both sides open enclosures to expand the solution to meet job needs.



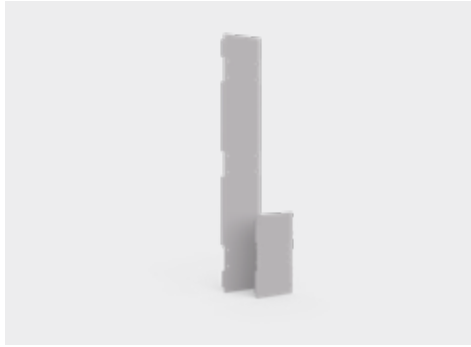
Use left side open enclosures to include preferred disconnect handle cut out.

ACCESSORIES

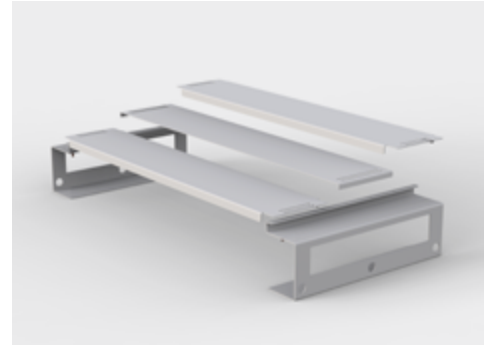
Quickly improve safety, add panel space and provide cleaner cable runs with Universal Free-Stand Accessories.



Barrier Panel
Type 1 rated barrier that installs on the inside of the enclosures.



Side panels
The full or small option can be added using existing baying holes.



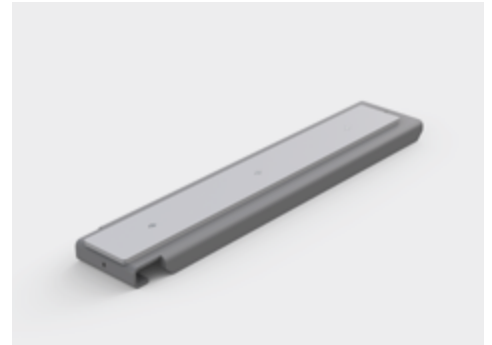
False Floor
Type 1 rated barrier that installs inside of the bottom of the enclosure.



Fillers panels
Provides a continuous flush surface across multiple back panels.



Operator Release
Provides interaction between the door handle and interlock.



Panel Gliders
Strong support to glide loaded panel from the front of the enclosure to panel supports.



Our powerful portfolio of brands:

CADDY

ERICO

HOFFMAN

RAYCHEM

SCHROFF

TRACER