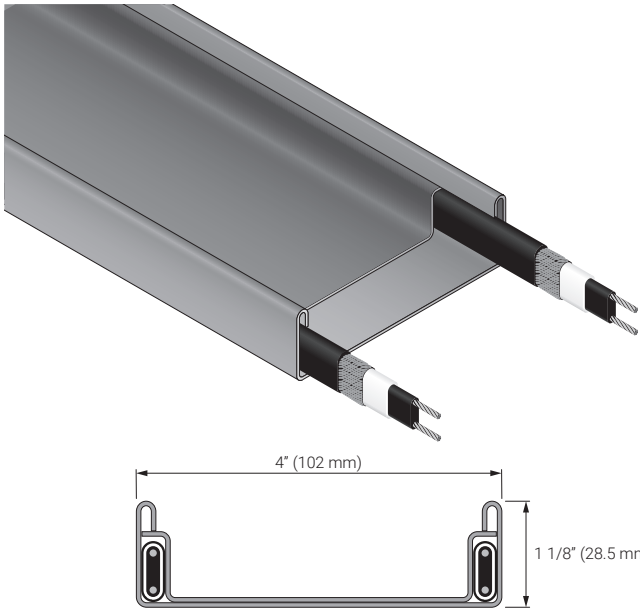


CHANNEL PANEL SYSTEM FOR CONCEALED ROOF & GUTTER DE-ICING



PRODUCT OVERVIEW

nVent RAYCHEM brand Roof Ice Melt (RIM) systems are designed to eliminate icicles and ice dam problems in wide range of applications.

nVent RAYCHEM RIM Channel (RIM2-C) system is used to provide a heated channel for the snow melt to flow from one section of the roof to another, usually a drain or eave. The system consists of nVent RAYCHEM WFP heating cable, Aluminum extrusion designed to fit the cable and a cover panel for efficient heat transfer. The RIM2-C channel system uses 2 runs of WFP cable providing adequate power output necessary for moderate snow load areas.

RIM systems provide:

- Long term roof deicing solution by mechanically protecting the heating cable
- Aesthetically pleasing solution by concealing the heating cable
- High performance and reliable solution for moderate snow load areas



CATALOG NUMBER

RIM2-C, Channel System, copper
 RIM2-C, Channel System, aluminum

CONTENTS

RIM-C
 Base Panel (1 ft per foot of RIM-C)
 Cover Panel (1 ft per foot of RIM-C)
 WFP Heating Cable (2 ft per foot of RIM-C)

MATERIALS OF CONSTRUCTION

Extrusion Aluminum
 Base/Cover Panel Aluminum (available in 30 colors. Please refer to RIM color guide H59379) Copper Custom (Corten, Zinc, Lead coated copper etc.)

ADDITIONAL MATERIALS (AS REQUIRED)

| | |
|-----------------------------------|---|
| Power Connection kits (WPCK-R) | Contains a heat shrink power connection and end seal designed for RIM systems |
| Splice/Tee Connection kits (WSTK) | Heat shrink splice or tee kit designed for RIM systems |
| RIM Adhesive/Sealant | Silicone adhesive for RIM systems |

Note: Only approved connection kits and accessories must be used with RIM Systems. Refer to RIM design guide (H59561) for proper selection.

PRODUCT SPECIFICATIONS (NOMINAL)

| | |
|----------------------------------|--|
| Power Output | 16 W/ft of RIM-C (52 W/m of RIM-C) in snow or ice |
| Minimum Installation Temperature | 0°F (-18°C) |
| Overall Cover Dimensions | Width: 1 5/8 in (41.3 mm) Thickness: 5/8 in (16 mm) |
| Weight | 678 lb/1000 ft (1009 kg/km) |

HEATING CABLE SPECIFICATIONS (NOMINAL)

| | |
|---------------------|-----------------------|
| Voltage | WFP-612: 120 Vac |
| | WFP-622: 208- 277 Vac |
| Minimum Bend Radius | 5/8 in (16 mm) |

CABLE SELECTION

| Model number | Operating voltage | Power output in Snow/Ice (nominal) | Maximum circuit length vs Breaker size | | | |
|--------------|-------------------|------------------------------------|--|--------|--------|--------|
| | | | 20A CB | | 30A CB | |
| | | | @ 0°F | @ 32°F | @ 0°F | @ 32°F |
| WFP-612 | 120 Vac | 8 W/ft | 130 ft | 165 ft | 195 ft | 240 ft |
| WFP-622 | 208-277 Vac | 8 W/ft | 270 ft | 330 ft | 405 ft | 480 ft |

Note: For 208 Vac application, multiply power output at 240 Vac by 0.85.
For 277 Vac application, multiply power output at 240 Vac by 1.12.

APPROVALS

The WFP-612 and WFP-622 heating cables are UL Listed and CSA Certified only when used with the appropriate agency-approved nVent connection kits and accessories. For approvals information, refer to the WFP heating cable data sheet H59576.

GROUND-FAULT PROTECTION

To minimize the danger of fire from the sustained electrical arcing if the heating cable is damaged or improperly installed, and to comply with the requirements of nVent, agency certifications, and national electrical codes, ground-fault equipment protection must be used on each heating cable branch circuit. Arcing may not be stopped by conventional circuit protection. Many RAYCHEM control and monitoring systems meet the ground-fault protection requirement.

North America

Tel: +1.800.545.6258

Fax: +1.800.527.5703

thermal.info@nvent.com



nVent.com

Our powerful portfolio of brands:

CADDY ERICO HOFFMAN RAYCHEM SCHROFF TRACER