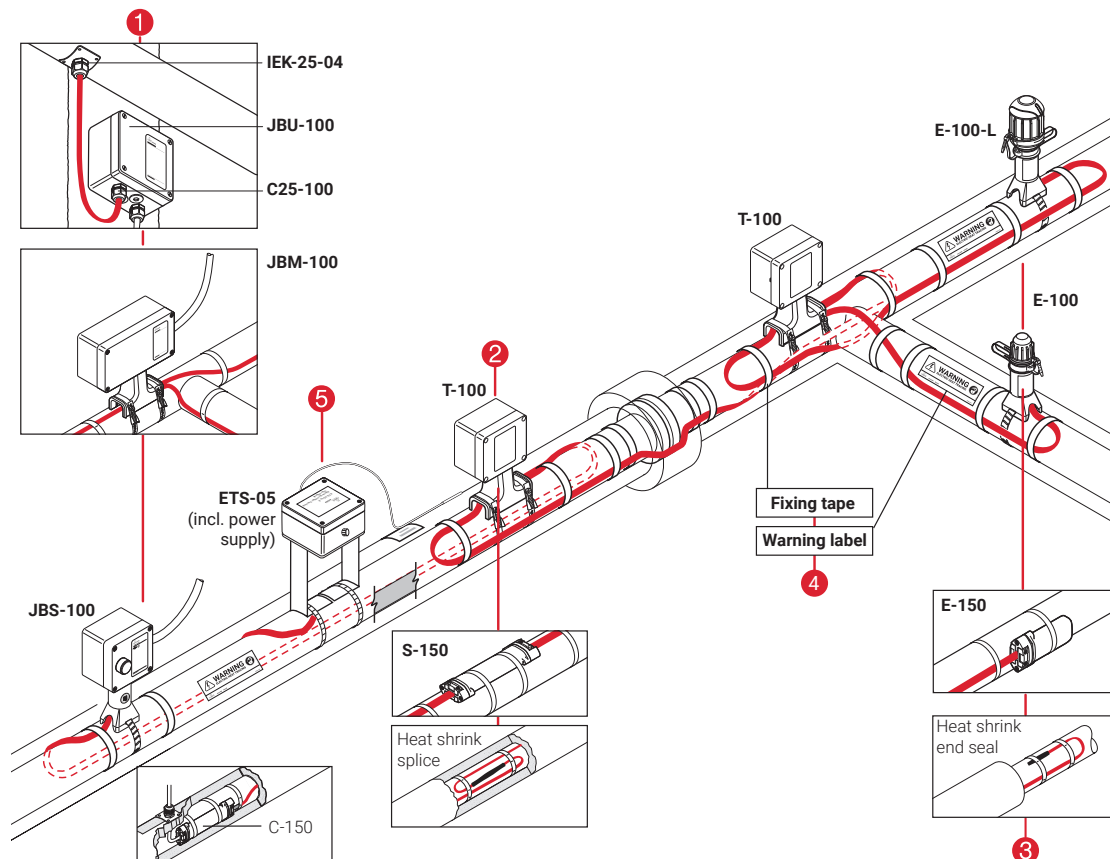


Quick Reference

CONNECT AND PROTECT

Industrial Heating Systems (IEC / ATEX)

SELECT YOUR CONNECTIONS KITS



1 Power connections	Description
Pipe-mounted junction box, for 1 circuit. Option: light, earthplate	JBS-100 (-E, -EP, -L-E, L-EP)
Pipe-mounted junction box, for 3 circuits. Option: light, earthplate	JBM-100 (-E, -EP, -L-E, L-EP)
Modular junction box, for 3 circuits. Option: light, earthplate	JBU-100 (-E, -EP, -L-E, L-EP)
Modular junction box with electronic thermostat, for 1 circuit. Option: light, earthplate, 199 or 499°C, alarm relay (-A)	ETS-05 (-L2-E, -L2-EP, -H2-E, H2-EP)
Modular non hazardous junction box, for 1 circuit	JB-NH-2
Modular non hazardous junction box, for 3 circuits	JB-NH-4
Low profile power connection for 1 circuit	C-150-E
Cold applied connection kit to modular junction box	C25-100
Other power connections and kits	Check product catalogue

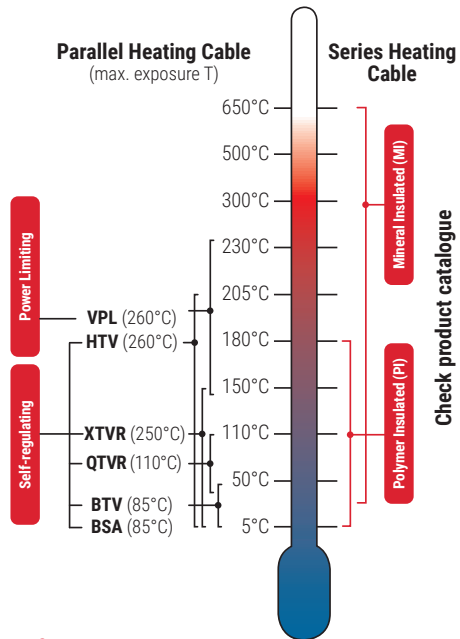
2 Splice/Tee connections	Description
Pipe-mounted tee/splice box	T-100
Low profile splice	S-150
Heat shrink splice connection	S-20 (BTV, QTVR), S-40 (XTVR, HTV, VPL)

3 End seals	Description
Pipe-mounted end seal, Option: light	E-100-E(-L)
Low profile end seal	E-150
Heat shrink end seal	E-20 (BTV, QTVR), E-40 (XTVR, HTV, VPL)
Low profile non-hazardous end seal	E-02-AL (BSA)
Low profile non-hazardous power connection/splice, end seal	CSE-05-DR (BSA)

4 Accessories	Description
Glass fiber fixing tape. For (non-stainless) steel pipes and install >5°C	GT-66
Glass fiber fixing tape. For stainless steel pipes, and install <5°C	GS-54
Aluminium tape. Heat transfer aid	ATE-180
Insulation entry kit, pipe-mounted	IEK-25-PIPE
Insulation entry kit, mounted on cladding	IEK-25-04
Support bracket	SB-100, SB-101, and other
Warning label (1 per 5 m pipe), English	LAB-I-01
Other labels and accessories	Check product catalogue

5 Controls	Description
Surface sensing thermostat, mechanical.	Raystat EX-02
Surface sensing thermostat, electronic	ETS-05 (-L2-E, -L2-EP, -H2-E, H2-EP)
Ambient sensing thermostat, electronic	ETS-05 (-A2-E)
Field mounted electronic controller	Elexant 5010i
Panel mounted electronic controller	NGC-30
Panel mounted electronic controller	NGC-40
Field mounted electronic controller	Elexant 4010i
Panel mounted electronic controller	Elexant 4020i
Other controls available	Check product catalogue

Typical continuous operating temperature



Europe, Middle East, Africa

Tel +32.16.213.511
thermal.info@nVent.com



Non-Hazardous Self-Regulating Cable - BSA

- 65°C Continuous operating temperature
- 85°C maximum intermittent exposure (1000 h)
- Power output (at 10°C): 10, 23 W/m

Self-Regulating Cable - BTV

- 65°C Continuous operating temperature
- 85°C maximum intermittent exposure (1000 h)
- T-rating: T6
- Power output (at 10°C): 9 - 16 - 25 - 29 W/m

Self-Regulating Cable - QTVR

- 110°C Continuous operating temperature
- 110°C maximum intermittent exposure (1000 h)
- T-rating: T4
- Power output (at 10°C): 38 - 51 - 64 W/m

Self-Regulating Cable - XTVR

- 150°C Continuous operating temperature
- 250°C maximum intermittent exposure (2000 h)
- T-rating: T3 (20XTVR2-CT up to Max 240 VAC)
- Power output (at 10°C): 9 - 16 - 25 - 32 - 38 - 48 - 64 W/m

Self-Regulating Cable - HTV

- 205°C Continuous operating temperature
- 260°C maximum intermittent exposure (2000 h)
- T-rating: T3 (T2 for 20HTV)
- Power output (at 10°C): 9 - 16 - 25 - 32 - 38 - 48 - 64 - 92 W/m

Power Limiting Cable - VPL

- Continuous operating temperature up to 230°C (per design)
- Maximum intermittent exposure temperature: 260°C
- T-rating: per design
- Power output (at 10°C): 15 - 30 - 45 - 61 W/m



Our powerful portfolio of brands:

CADDY ERICO HOFFMAN ILSCO RAYCHEM SCHROFF