

Heat Management System for Chemical Plants



RAYCHEM TRACER

Piping Systems Tracing

- Process Lines
- Batched Processing
- Boiler Drains, Vents, & Blowdowns
- Steam Lines
- Root Valves
- Fuel Gas
- Chemical storage



Field Pipe Tracing

- Potable Water
- Cooling Lines
- Fire Supply
- Transfer Lines

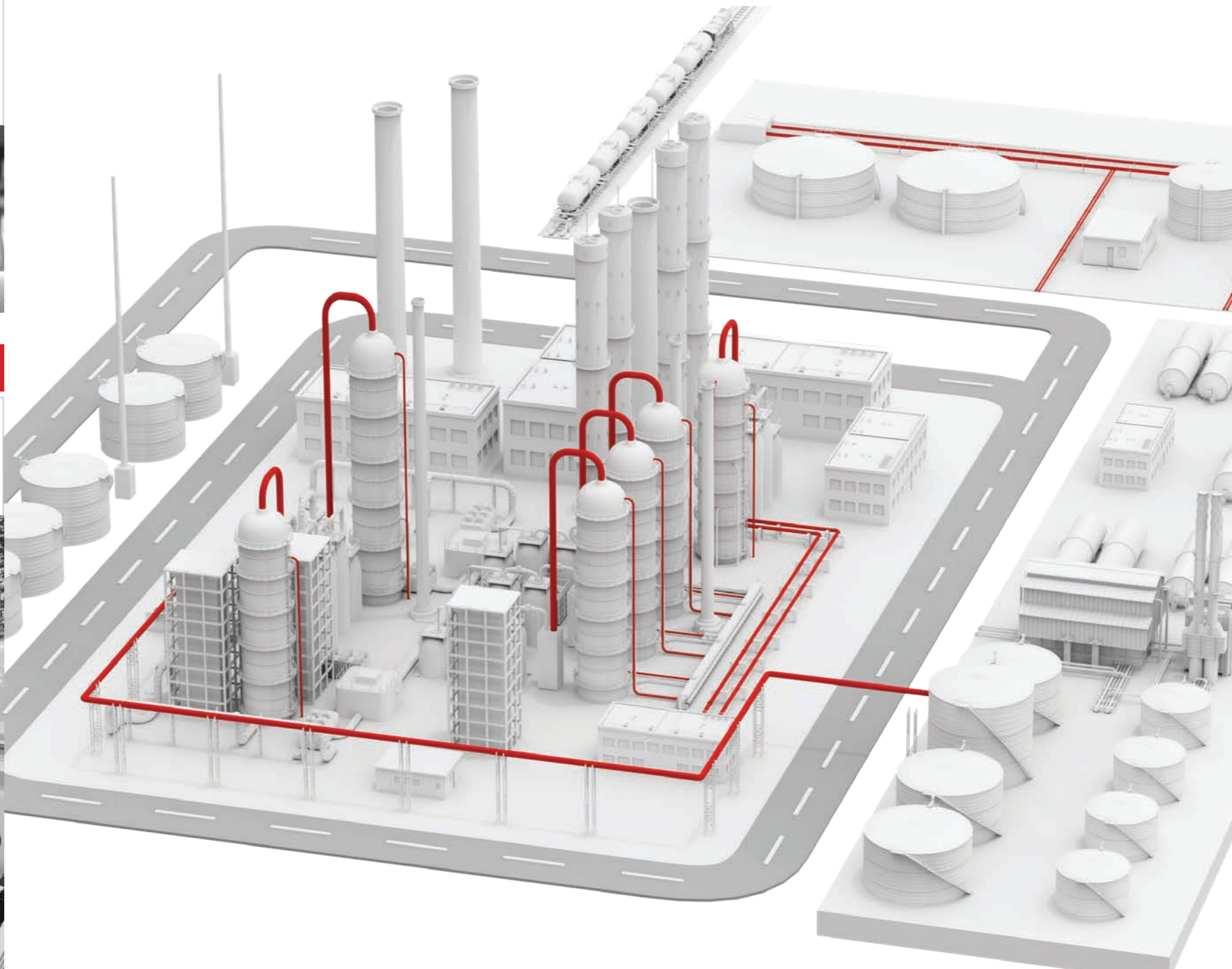


Instrumentation and Tubing Bundles

- Heated Instrument Enclosures
- Impulse Lines
- Sample Lines



Chemical plants are essential in producing thousands of products for everyday use from plastics, soaps, and paints to fertilizers and pharmaceutical drugs. Keeping them operating efficiently is crucial. nVent Thermal Management provides a heat management system engineered to protect critical process temperatures and prevent utilities and instrumentation equipment from freezing.

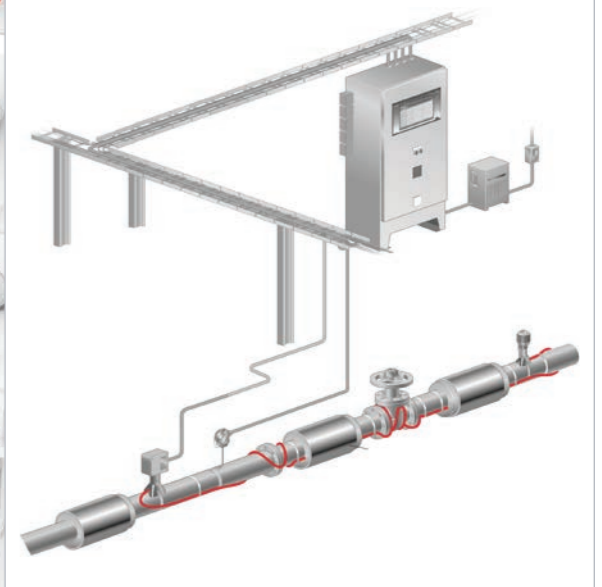


Heat Management System

A Heat Management System (HMS) is an engineered system designed to maintain or protect process piping, equipment, vessels and instrumentation at pre-determined temperatures and within defined design criteria.

Components of an HMS:

- Heat Delivery System
- Control & Monitoring
- Supervisory Software
- Utility Distribution
- Thermal Insulation
- Instrument Winterization



For more info, visit nvent.com/RAYCHEM