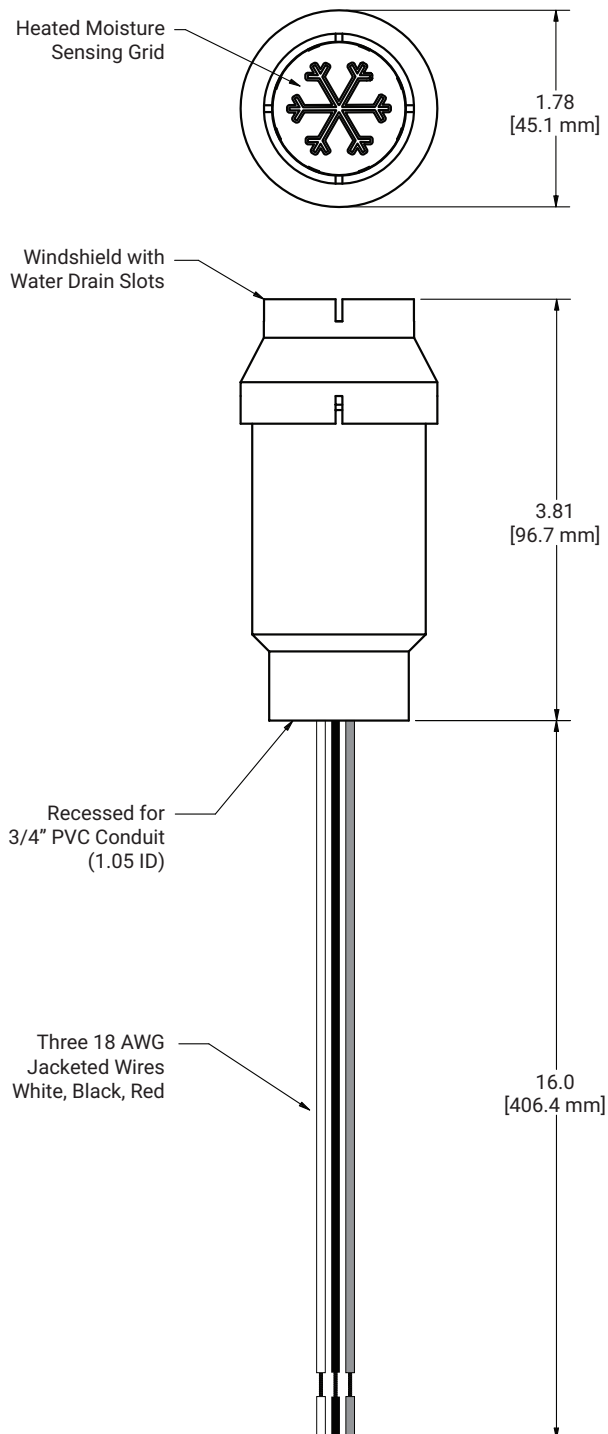


## Aerial general-purpose snow sensor



### FEATURES & BENEFITS

- Automatic snow sensor for reduced energy consumption in surface snow melting and roof and gutter de-icing applications.
- Slim design minimizes visual impact
- Mounts on 3/4" PVC or 1/2" PVC with optional reducing bushing or 1/2" NPT with included fittings
- Operates on safe low voltage power
- Wire colors match commonly available cable for easier installation
- Convenient power-on self-test to verify proper sensor operation
- Made with UV-tolerant and corrosion-resistant materials

### DESCRIPTION

The Snow Owl sensor is designed to work with a controller or contactor, optimizing energy usage in heated snow/ice melting applications. Snow Owl is also an excellent solution for building automation applications.

During dry or warm weather, the system's heaters are turned off to save energy costs. The heaters are turned on only when snow and/or ice is present, and kept on only long enough to ensure complete melting and drying. Temperature and time parameters are preset for optimum system performance.

Typical applications include controlling snow melting systems for driveways, sidewalks, doorways, stairs, loading docks, ramps for the physically challenged and parking garages. Easy installation is another key Snow Owl feature. Low voltage operation, up to 2,000' (609.6m) separation from the control panel, mast or roof mounting, and non-critical extension wiring are just a few of the features making this possible.

## SPECIFICATIONS

---

Input Power	24V AC 50/60Hz, 24V DC, or 24V full wave rectified AC/pulsed DC 0.2A max
Output	Relay contacts: 2A max, 30V Relay contacts close when ambient temperature is at or below the set point temperature and precipitation is detected Relay contacts remain closed during pre-set delay after snow event ends Three wire connection (2 for power, 1 for relay)
Set Point Temperature	38°F
Hold-on Times	Set 1 minute
Dimensions	3-3/4 inches tall, 1-3/4 inches diameter
Storage Temperature	-40°C to +85°C

Can be mounted 500 feet from the controller using 22ga cable or up to 1,000 ft. using 18ga cable (Depending on load requirements)

## ORDERING INFORMATION

---

Part Number	Catalog Number	Description	UPC
P000002358	SNOW OWL	ETI Snow Owl Aerial Snow Sensor	715629420190

### North America

Tel +1.800.545.6258  
Fax +1.800.527.5703  
thermal.info@nvent.com



[nVent.com/RAYCHEM](http://nVent.com/RAYCHEM)

Our powerful portfolio of brands:

**CADDY ERICO HOFFMAN RAYCHEM SCHROFF TRACER**