



CONNECT AND PROTECT

Global Stainless Steel Enclosures


nvent

HOFFMAN



Protecting vital technologies in the world's toughest environment.

THE LARGEST PRODUCER OF GLOBALLY CERTIFIED STAINLESS STEEL ENCLOSURE SOLUTIONS FOR HARSH AND HAZARDOUS APPLICATIONS. THE ONLY PROVIDER WITH MANUFACTURING IN EVERY MAJOR CONTINENT, AND WITH WORLDWIDE CERTIFICATIONS.

For over 70 years, nVent HOFFMAN enclosures have offered the industry's of enclosures has offered the industry's largest selection of standard enclosures and accessories – over 12,000 SKUs. Design possibilities are endless with the industry's widest array of Standard, Modified and Engineered Solutions.

A wellspring of harsh environment experience and a deep history of innovation and industry firsts, combine with vast, global capacity and industry-leading manufacturing competencies.

Capabilities include Original Design Manufacturer (ODM) services, New Product Introduction (NPI), prototyping services, integration, testing and deployment with industry-leading experience in global standards and certifications.

The resources of nVent provides HOFFMAN brand stainless steel enclosure solutions to industries worldwide with an assurance of global quality and consistency needed to protect and perform reliably in the most punishing conditions. An essential part of an \$8 billion global organization that employs more than 30,000 people worldwide, nVent Enclosures can meet the demands of our customers wherever they do business.

The reach and expansion of on-site control, communication and monitoring technology is driving innovation and productivity on a global scale. Today, the need to protect technology from increasingly harsh conditions in ever-closer proximity to production requires a new breed of highly engineered stainless steel unibody enclosure platforms. **A full range of welded, unibody enclosures that offer superior strength and resistance to vibration compared to modular enclosure construction.**

Only one enclosure brand is positioned and capable to meet your evolving needs on a global scale. HOFFMAN. The global leader in systems and solutions that protect vital electrical and electronic resources in the world's most demanding climates, conditions and production environments.

- **Largest global supplier of freestanding unibody enclosures**
Broadest range of standard wall-mount and free-stand Type 304 and 316 stainless steel platform units
- **Leading technologies and innovations for sealing and protecting electronics and electrical systems in highly corrosive environments**
- **Superior ATEX-certified enclosures and purging solutions for hazardous locations**
- **Innovators of the first NSF-certified hygienic enclosure line designed specifically for the food & beverage industry**
- **Localized manufacturing to Global ISO 9001:2008 standards, localized sales and support – deployable faster around the globe**

HOFFMAN IS THERE, WHEREVER YOU ARE AS THE NEED FOR GLOBAL EXPLORATION, MANUFACTURING AND INFRASTRUCTURE EXPANDS, YOU NEED A PARTNER WITH FEET ON THE GROUND.



HOFFMAN GLOBAL STAINLESS STEEL ENCLOSURES OVERVIEW

HOFFMAN offers the largest range of stainless steel enclosure products, including platforms specifically engineered for essential applications including:

- Oil & gas (hazloc and non-hazloc)
- Food & beverage sanitary enclosures
- Chemical and petrochemical
- Pharmaceutical manufacturing
- Wastewater treatment facilities
- Laboratory and instrument
- Pulp and paper plants



Zonex ATEX-Certified, Type 4X

Type 316 stainless steel ATEX Ex e enclosures designed and certified to meet ATEX Directive 94/9/EC as well as IECEx and AEx standards* for increased safety in housing electrical components in Zone 1 and Zone 2 applications. Available in a large selection of sizes in screw-cover and hinged-cover models.

* Zonex enclosures are not intended for use in on exported equipment. explosion-proof or flame-proof applications



Type 3R/4X/12 or IP 55/66 Wall Mount

Type 304 or Type 316 Stainless steel used in either indoor or outdoor applications that require corrosion protection from chemicals & water. These enclosures feature streamlined styling with an attractive stroked finish combined with aesthetically hidden hinges, seamless foam-in-place gasket and Quarter-turn latches furnished with flush slotted insert for secure closure. Available in single/double door



Free Standing UNIBODY Type 4X/12 or IP 55/66

A rugged metric sized UNIBODY design to provide INDUSTRY-LEADING protection from dust, dirt, oil and water. Available in single/double door models with front and/or rear access, these enclosures are ideal to house large systems – such as motor starters, drives, contractors & PLCs – or 19-inch rack mounted components in HARSH industrial environments. Three-point latching and sealing, Seamless Foam-in-place gasket, body flange through collar, smooth #4 brushed finish, heavy gauge hinges and continuous welded sides make these panels well suited for use in petrochemical plants; pulp and paper processing; water treatment

WaterShed Wall-Mount and Free-Stand Type 4X

Engineered and patented for use in high-pressure sanitary washdown production environments, particularly food and beverage manufacturing, innovative WaterShed enclosures offer features that outperform conventional sloped top enclosures, including a reverse-slanted flange trough collar and sloped door edges that facilitate washdown runoff, bullet-style lift-off hinges and seamless foam-in-place, one-piece gasket for superior sealing and protection.

WALL-MOUNT ENCLOSURES



INDUSTRY STANDARDS

Mounting brackets required to meet UL external mounting requirements.

UL 508A Listed; Type 3R, 4, 4X, 12; File No. E61997

NEMA/EEMAC Type 3R, 4, 4X, 12, 13
VDE IP66
IEC 60529, IP66

APPLICATION

For indoor or outdoor applications that require corrosion protection from chemicals and water. Concept Enclosures feature streamlined styling with an attractive stroked finish and flush quarter-turn latches for secure closure. Available in solid- and window-door models.

SPECIFICATIONS

- Manufactured from Type 304 or Type 316 stainless steel
- Minimum-width body flange provides maximum body opening
- External formed 90-degree body flange
- Inside Mounting Plate (GI) included
- Mounting holes in back of body for direct mounting or for optional external mounting brackets
- Type 316 stainless steel hidden hinges promote clean aesthetic appearance
- Doors are easily removed by pulling clip style hinge pins
- Quarter-turn latches furnished with double pit insert
- Seamless foam-in-place gasket
- Bonding provision on door; grounding stud on body
- Window doors having a clear polycarbonate window - available on request
- Captivated Type 316 stainless steel cover screws with sealing bushings made of a durable composite material
- Integral compression stops maintain optimal gasket compression

FINISH

Door and body have smooth #4 brushed finish.

ACCESSORIES

Type 316 Stainless Steel Door Stop Kit
H2Omit Vent Drains, Type 4X
H2Omit Thermoelectric Dehumidifier
Document Holding Pocket
Stainless Steel Drip Shields

MODIFICATION AND CUSTOMIZATION

HOFFMAN excels at modifying and customizing products to your specifications. Contact your local HOFFMAN sales office or distributor for complete information.

Bulletin: CWS

WALL-MOUNT ENCLOSURES

STANDARD PRODUCT - HINGE COVER

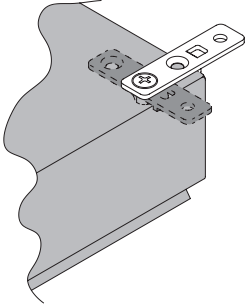
Catalog Number	Material	A x B x C mm	Body Gauge	Door Gauge	Latch Qty
M300300120SSI	SS 304	300 X 300 X 120	16	16	1
M300300120SS6I	SS 316	300 X 300 X 120	16	16	1
M300300150SSI	SS 304	300 X 300 X 150	16	16	1
M300300150SS6I	SS 316	300 X 300 X 150	16	16	1
M400300150SSI	SS 304	400 X 300 X 150	16	16	1
M400300150SS6I	SS 316	400 X 300 X 150	16	16	1
M500400150SSI	SS 304	500 X 400 X 150	16	16	1
M500400150SS6I	SS 316	500 X 400 X 150	16	16	1
M400300210SSI	SS 304	400 X 300 X 210	16	16	1
M400300210SS6I	SS 316	400 X 300 X 210	16	16	1
M400400210SSI	SS 304	400 X 400 X 210	16	16	1
M400400210SS6I	SS 316	400 X 400 X 210	16	16	1
M500400210SSI	SS 304	500 X 400 X 210	16	16	1
M500400210SS6I	SS 316	500 X 400 X 210	16	16	1
M600400210SSI	SS 304	600 X 400 X 210	16	16	2
M600400210SS6I	SS 316	600 X 400 X 210	16	16	2
M700500210SSI	SS 304	700 X 500 X 210	16	16	2
M700500210SS6I	SS 316	700 X 500 X 210	16	16	2
M600600210SSI	SS 304	600 X 600 X 210	16	16	2
M600600210SS6I	SS 316	600 X 600 X 210	16	16	2
M800600210SSI	SS 304	800 X 600 X 210	14	14	2
M800600210SS6I	SS 316	800 X 600 X 210	14	14	2
M800800210SSI	SS 304	800 X 800 X 210	14	14	2
M800800210SS6I	SS 316	800 X 800 X 210	14	14	2
M1000600210SSI	SS 304	1000 X 600 X 210	14	14	2
M1000600210SS6I	SS 316	1000 X 600 X 210	14	14	2
M1000800210SSI	SS 304	1000 X 800 X 210	14	14	2
M1000800210SS6I	SS 316	1000 X 800 X 210	14	14	2
M500400300SSI	SS 304	500 X 400 X 300	16	16	1
M500400300SS6I	SS 316	500 X 400 X 300	16	16	1
M500500300SSI	SS 304	500 X 500 X 300	16	16	1
M500500300SS6I	SS 316	500 X 500 X 300	16	16	1
M600400300SSI	SS 304	600 X 400 X 300	16	16	2
M600400300SS6I	SS 316	600 X 400 X 300	16	16	2
M600600300SSI	SS 304	600 X 600 X 300	16	16	2
M600600300SS6I	SS 316	600 X 600 X 300	16	16	2
M800600300SSI	SS 304	800 X 600 X 300	14	14	2
M800600300SS6I	SS 316	800 X 600 X 300	14	14	2
M800800300SSI	SS 304	800 X 800 X 300	14	14	2
M800800300SS6I	SS 316	800 X 800 X 300	14	14	2
M1000600300SSI	SS 304	1000 X 600 X 300	14	14	2
M1000600300SS6I	SS 316	1000 X 600 X 300	14	14	2
M1000800300SSI	SS 304	1000 X 800 X 300	14	14	2
M1000800300SS6I	SS 316	1000 X 800 X 300	14	14	2
M1200800300SSI	SS 304	1200 X 800 X 300	14	14	3
M1200800300SS6I	SS 316	1200 X 800 X 300	14	14	3
M1000800400SSI	SS 304	1000 X 800 X 400	14	14	2
M1000800400SS6I	SS 316	1000 X 800 X 400	14	14	2
M1200800400SSI	SS 304	1200 X 800 X 400	14	14	3
M1200800400SS6I	SS 316	1200 X 800 X 400	14	14	3

STANDARD PRODUCT - SCREW COVER

Catalog Number	Material	A x B x C mm	Catalog Number	Material	A x B x C mm
MSC15015080SSI	SS 304	150 X 150 X 80	MSC300200120SSI	SS 304	300 X 200 X 120
MSC15015080SS6I	SS 316	150 X 150 X 80	MSC300200120SS6I	SS 316	300 X 200 X 120
MSC150150120SSI	SS 304	150 X 150 X 120	MSC300200150SSI	SS 304	300 X 200 X 150
MSC150150120SS6I	SS 316	150 X 150 X 120	MSC300200150SS6I	SS 316	300 X 200 X 150
MSC200150120SSI	SS 304	200 X 150 X 120	MSC300250150SSI	SS 304	300 X 250 X 150
MSC200150120SS6I	SS 316	200 X 150 X 120	MSC300250150SS6I	SS 316	300 X 250 X 150
MSC250200120SSI	SS 304	250 X 200 X 120	MSC300300150SSI	SS 304	300 X 300 X 150
MSC250200120SS6I	SS 316	250 X 200 X 120	MSC300300150SS6I	SS 316	300 X 300 X 150

WALL-MOUNT ENCLOSURES

MOUNTING BRACKET KIT

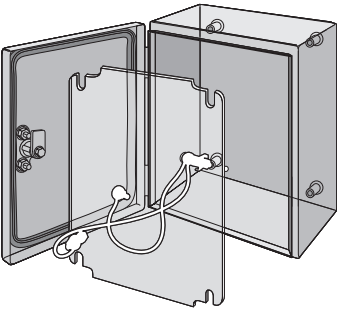


Kit is field-installable on all solid-back-body enclosures. Hardware included. Four brackets per kit.

Bulletin: A54SY

Catalog Number	Description
LMFKSS	Type 304 stainless steel mounting-bracket kit
LMFKSS6	Type 316 stainless steel mounting-bracket kit

GROUNDING KIT

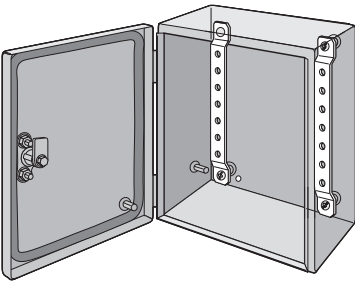


Grounding Kit provides means to attach a grounding conductor to the enclosure. Kit includes two insulated copper wires with a ring terminal at each end, all installation hardware and instructions.

Bulletin: A54Y

Catalog Number	Product Weight
LLGK	0.2 lb.

DIN RAIL OR PANEL-MOUNTING BRACKETS

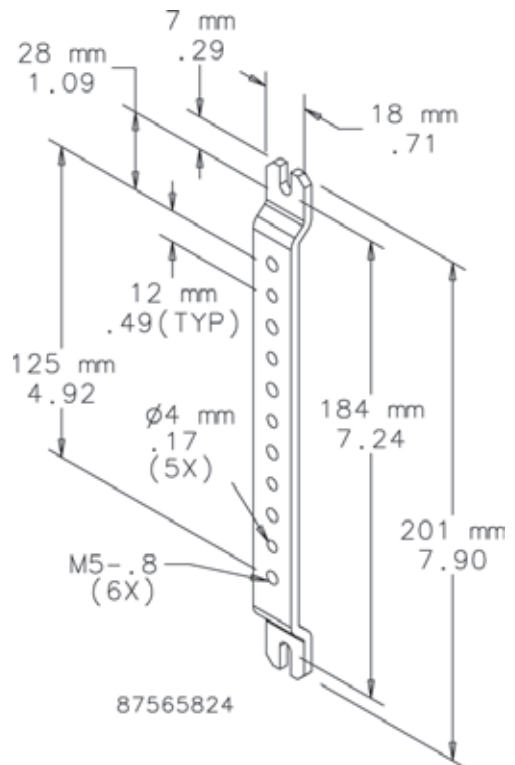


Use as a mounting framework to install DIN rails or a panel. Bracket is offset for additional space in front of or behind mounted equipment. Plated 12 gauge steel. Mounting hardware included. Brackets are required for DIN3 type rails.

Bulletin: A54Y

Catalog Number	Fits INLINE Enclosure
LMK15	when A or B = 150 mm
LMK20	when A or B = 200 mm
LMK23	when A or B = 230 mm
LMK25	when A or B = 250 mm
LMK30	when A or B = 300 mm
LMK35	when A or B = 350 mm

600-mm and longer enclosures require two sets of brackets for mounting panels.



FREE-STAND SINGLE AND DUAL ACCESS WITH 3-POINT LATCHES, TYPE 4X



INDUSTRY STANDARDS

UL 508A Listed; Type 3R, 4, 4X, 12; File No. E61997
cUL Listed per CSA C22.2 No 94; Type 3R, 4, 4X, 12;
File No. E61997

NEMA/EEMAC Type 3, 3R, 4, 4X, 12, 13
E.I.A. RS-310-D
IEC 60529, Ip66
Meets NEMA Type 3RX requirements

APPLICATIONS

Designed to house systems incorporating large components or complex mounting configurations. Three-point latching and sealing provide industry-leading protection from dust, dirt, oil and water. These enclosures are used in machine tool applications for housing motor starters, drives, contactors and PLCs, as well as a wide variety of other electrical and electronic equipment. The addition of 19-in. rackmounting accessories make these enclosures ideal for providing rugged protection for sensitive rack-mounted components in harsh industrial environments. These enclosures are used extensively in automotive, pulp and paper, wood products, textile and similar industries. Four styles are available to provide maximum flexibility:

1. One-Door Single-Access Enclosures (single door on front)
2. One-Door Dual-Access Enclosures (single door on front and rear)
3. Two-Door Single-Access Enclosures (doors close on a removable center post)
4. Two-Door Dual-Access Enclosures (doors close on a removable center post on front and rear)

SPECIFICATIONS

- 12 gauge Type 304 stainless steel
- Seams continuously welded and ground smooth; no holes or knockouts
- Two-door enclosures provided with a removable center post for easy panel installation
- Heavy-duty lifting eyes are Type 316L stainless steel
- Heavy-duty three-point latching mechanism operated by Type 316L stainless steel PowerGlide padlocking handle
- Seem less foam-in-place gasket assures a watertight and dust tight seal
- Body flange trough collar excludes liquids and contaminants
- Latch rods have rollers for easier door closing
- Heavy-gauge continuous hinges support each door
- High-impact thermoplastic data pocket provided with each enclosure
- Mounting channels welded horizontally to interior body sides at top, bottom and center
- Optional panels and rack mounting angles can be mounted anywhere along channels
- Bonding provision on door; grounding stud on body
- Accessory mounting channel provided in enclosure top

FINISH

Enclosures are unpainted. Cover, sides, top and bottom have smooth #4 brushed finish. Optional steel panels, swing-out panels, side mounted panels, rack-mounting frames, heavy-duty panel supports and center panel supports are white. Optional full, half and side mounted conductive panels are available.

ACCESSORIES

- Caster Kit
- Clamping Nut Package
- Floor Stand Kit, Stainless Steel
- Center Panel Supports
- Panels for Free-Stand Type 4, 4X and 12 Single- and Dual-Access One-Door Enclosures with Mounting Channel
- Panels for Free-Stand Type 4, 4X and 12 Single- and Dual-Access Two-Door Enclosures with Mounting Channel

MODIFICATION AND CUSTOMIZATION

HOFFMAN excels at modifying and customizing products to your specifications. Contact your local HOFFMAN sales office or distributor for complete information.

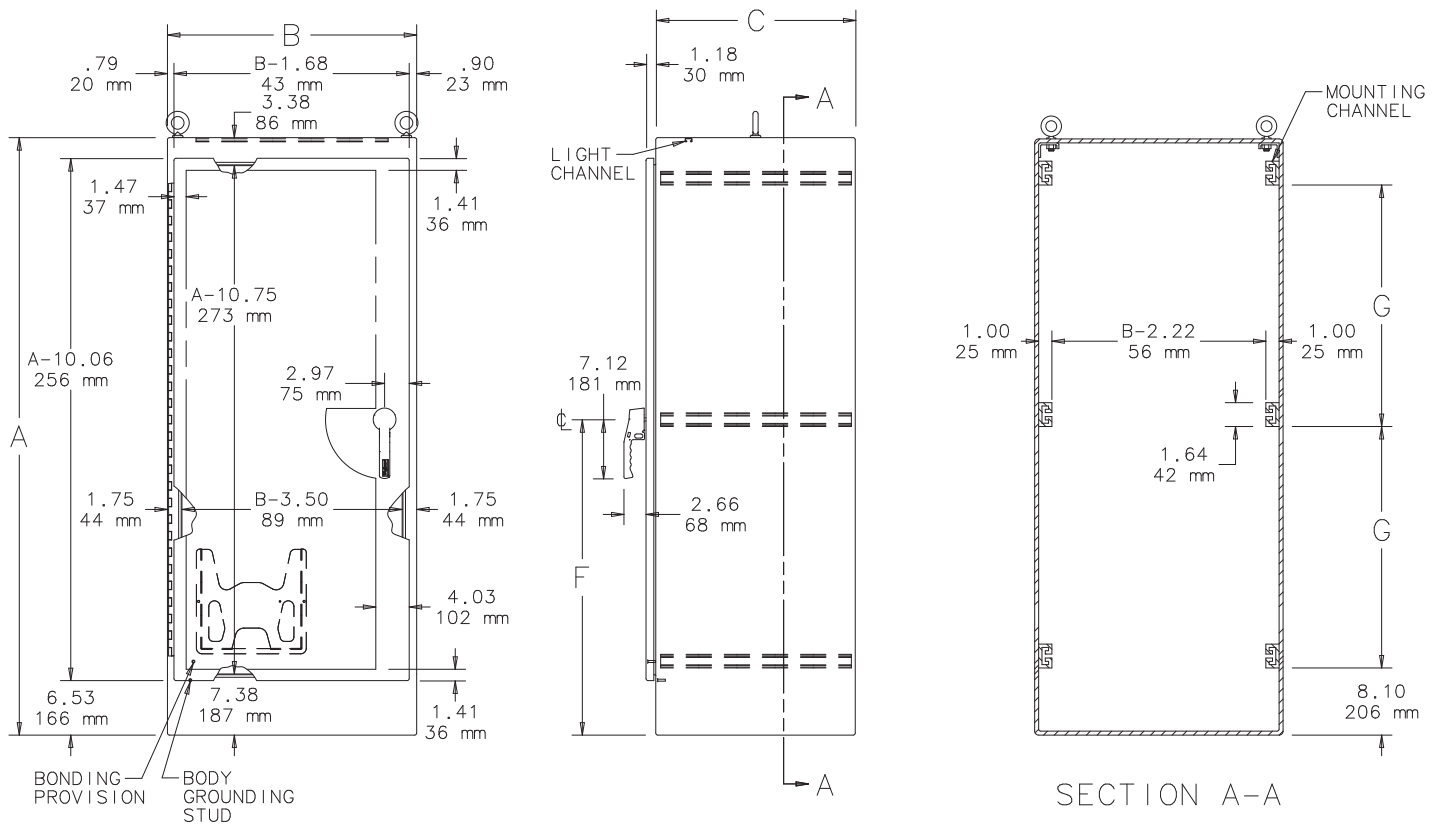
Bulletin: A30S4

FRESS-STAND SINGLE AND DUAL ACCESS WITH 3-POINT LATCHES, TYPE 4X

STANDARD PRODUCT ONE-DOOR SINGLE-ACCESS

Catalog Number	AxBxC mm	F mm	G mm
A602418SSFN4	1526 x 611 x 459	814	587
A722418SSFN4	1830 x 611 x 459	966	740
A723018SSFN4	1830 x 764 x 459	966	740
A723618SSFN4	1830 x 916 x 459	966	740
A902420SSFN4	2288 x 611 x 510	1195	968
A903620SSFN4	2288 x 916 x 510	1195	968
A603624SSFN4	1526 x 916 x 611	814	587
A722424SSFN4	1830 x 611 x 611	966	740
A723024SSFN4	1830 x 764 x 611	966	740
A723624SSFN4	1830 x 916 x 611	966	740
A903624SSFN4	2288 x 916 x 611	1195	968
A723630SSFN4	1830 x 916 x 764	966	740
A723636SSFN4	1830 x 916 x 916	966	740
A903636SSFN4	2288 x 916 x 916	1195	968

Purchase panels and accessories separately.
For more details on One-Door Dual-Access contact HOFFMAN sales person.



87576784

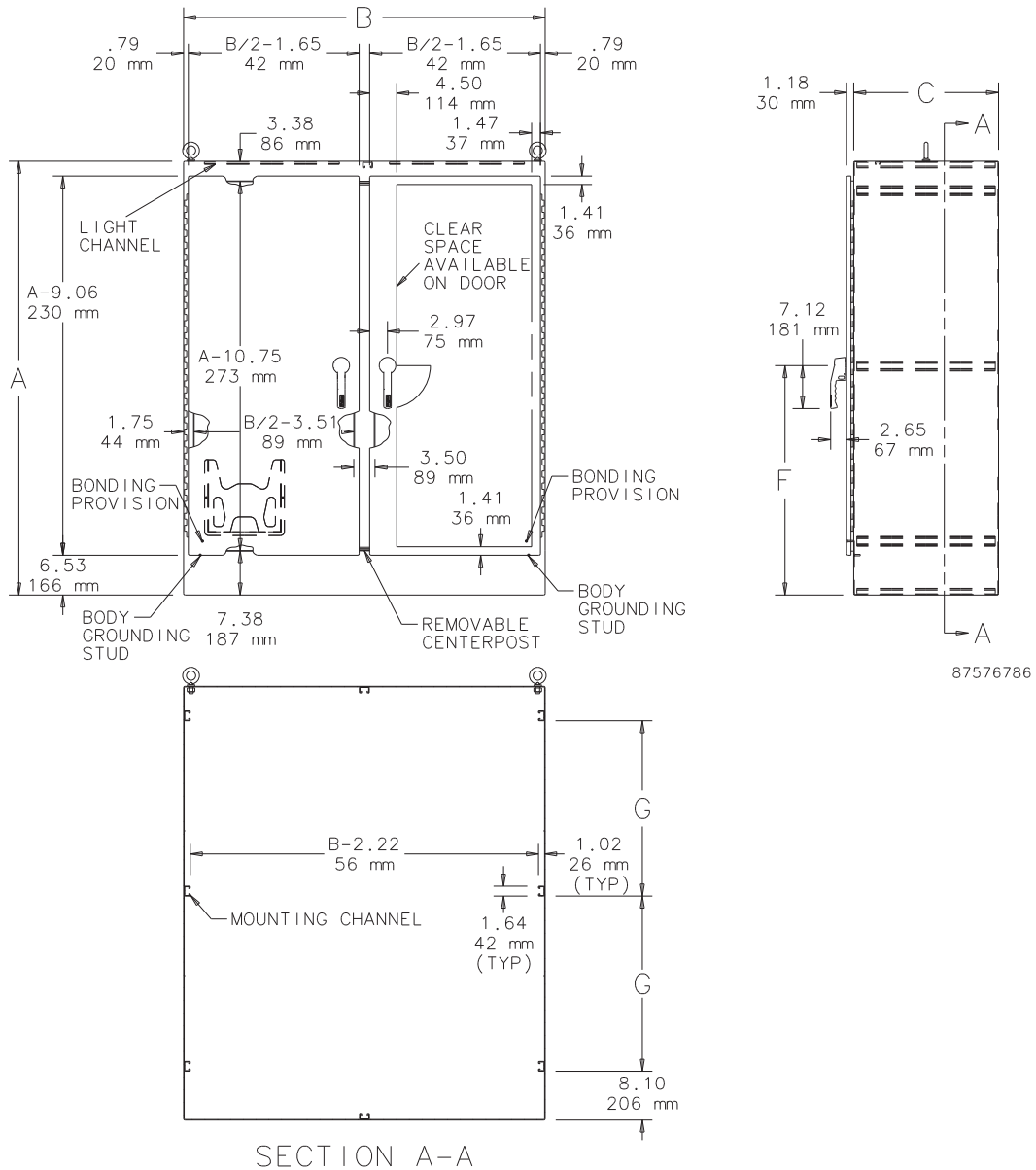
- NOTES:
1. Four lifting eyes are furnished if C=30.06 (764mm) or more.
 2. See General Accessories chapter for section views A-A and B-B showing accessories.
 3. Removable 12.00 x 12.00 (305mm x 305mm) data pocket.

FRESS-STAND SINGLE AND DUAL ACCESS WITH 3-POINT LATCHES, TYPE 4X

STANDARD PRODUCT TWO-DOOR SINGLE-ACCESS

Catalog Number	AxBxC mm	F mm	G mm	G mm	G mm
A604818SSFSDN4	1526 x 1221 x 472	814	587	505	509
A724818SSFSDN4	1830 x 1221 x 472	966	740	607	610
A726018SSFSDN4	1830 x 1526 x 472	966	740	607	610
A727218SSFSDN4	1830 x 1830 x 472	966	740	607	610
A904820SSFSDN4	2288 x 1221 x 510	1195	968	759	763
A907220SSFSDN4	2288 x 1830 x 510	1195	968	759	763
A724824SSFSDN4	1830 x 1221 x 611	966	740	607	610
A726024SSFSDN4	1830 x 1526 x 611	966	740	607	610
A727224SSFSDN4	1830 x 1830 x 611	966	740	607	610
A907224SSFSDN4	2288 x 1830 x 611	1195	968	759	763
A726036SSFSDN4	1830 x 1526 x 916	966	740	607	610
A907236SSFSDN4	2288 x 1830 x 916	1195	968	759	763

Purchase panels and accessories separately.
For more details on One-Door Dual-Access contact HOFFMAN sales person.



North America

Minneapolis, MN	Tel: +1.763.421.2240
Mexico City, Mexico	Tel: +52.55.5280.1449
Toronto, Canada	Tel: +1.416.289.2770

South America

Sao Paulo, Brazil	Tel: +55.11.5184.2100
Boituva, Brazil	Tel: +55.15.3363.9148

Europe

Betschdorf, France	Tel: +33.3.88.90.64.90
Straubenhardt, Germany	Tel: +49.7082.794.0
Dzierzoniow, Poland	Tel: +48.74.64.63.900
Assago, Italy	Tel: +39.02.5776151.224

Middle East & India

Dubai, United Arab Emirates	Tel: +971.4.378.1700
Bangalore, India	Tel: +91.80.6715.2001

Asia

Shanghai, P.R. China	Tel: +86.21.2412.6943
Singapore	Tel: +65.6768.5800
Shin-Yokohama, Japan	Tel: +81.45.476.0271
Seoul, Korea	Tel: +82.2.2129.7755
Qingdao	Tel: +86.532.8771.6101

FOR MORE INFORMATION AND TO CONTACT US, GO TO: [NVENT.COM/HOFFMAN](https://nvent.com/HOFFMAN)

Our powerful portfolio of brands:

CADDY ERICO HOFFMAN RAYCHEM SCHROFF TRACER



[nVent.com/HOFFMAN](https://nvent.com/HOFFMAN)