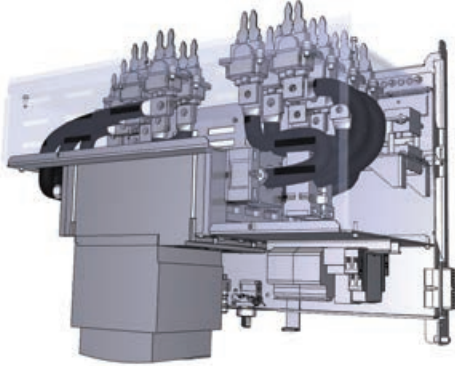


## A COMPLETE SET OF SOLUTIONS FOR LOW VOLTAGE AND GROUNDING APPLICATIONS

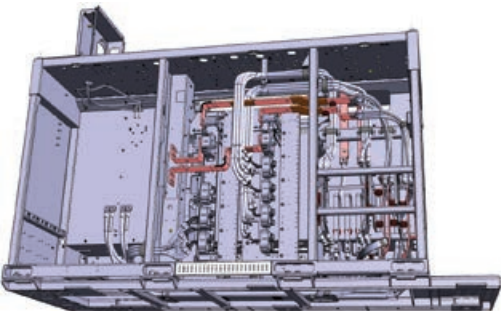
nVent ERIFLEX has the products and engineering support you need to specify and build a complete range of solutions for industries like: energy, transportation, construction and other applications where low voltage power storage and transmission are critical.



Power Conductor Custom Solutions



Made to Order Flexible and Insulated Braided Conductors



Prefabricated Solutions with nVent Flexibar Advanced

### North America

Tel + 1 440 248 0100

### Europe and Middle East

Tel +31 13 583 5400

### Asia

Tel +65.6768.5800

### Pacific

Tel +61-2-9751-8500

# Custom Engineered and Made to Order Flexible Electric Conductors



Our powerful portfolio of brands:

CADDY ERICO HOFFMAN RAYCHEM SCHROFF TRACER

**We connect and protect**



[nVent.com/ERIFLEX](https://www.nVent.com/ERIFLEX)

©2020 nVent. All nVent marks and logos are owned or licensed by nVent Services GmbH or its affiliates. All other trademarks are the property of their respective owners. nVent reserves the right to change specifications without notice.

ERIFLEX-SB-H86160-MadeToOrder-USEN-2009



Use the form below to help specify your project needs, or contact your local sales representative.

**CUSTOM SOLUTIONS (MADE-TO-ORDER) - CHECK LIST**

Use the form below to get started with our Made-To-Order solutions. If you have questions or prefer to discuss these specifications with an nVent ERIFLEX engineer, please email or call your local sales representative. Provide as much information as you can and our expert team will help you build a complete solution with trusted products.

**Electrical Function:**

- Earthing/grounding conductor .....
- Power conductor .....
- Nominal current ..... \_\_\_ A
- Alternating or direct current ..... \_\_\_
- Nominal voltage ..... \_\_\_ V
- Insulation specification (if required).....

**Material:**

- Red/plain copper.....
- Tinned copper.....
- Stainless steel.....
- Aluminum .....
- Other .....

**Environment:**

- Ambient temperature..... \_\_\_ °C/°F
- Operating temperature ..... \_\_\_ °C/°F
- Conductor maximum temperature..... \_\_\_ °C/°F
- Humidity (dry/average/moist)..... %HR

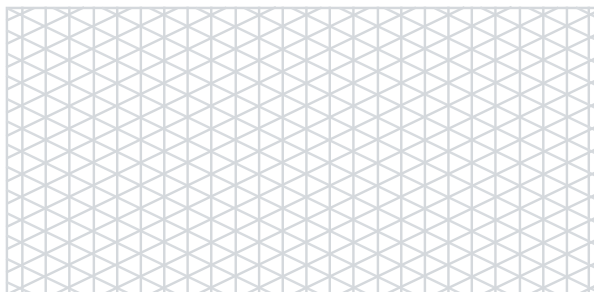
**Extremity/Terminal Dimensions:**

Indicate your dimensions on the proposed terminal drawing or make a sketch showing your needs.

The diagram shows six cross-sectional views of different terminal configurations with dimension lines. To the right is a large grid for sketching or drawing dimensions.

**Conductor Dimensions:**

- Availability: Drawing  Specification  Samples
- Cross Section ..... mm<sup>2</sup>/kcmil
- Flat or Round Section .....
- Width of the Conductor ..... mm/in
- Thickness of the Conductor ..... mm/in
- Length of the Conductor ..... mm/in
- Quantity .....



**Let the nVent ERIFLEX engineering team help solve your project needs.**



**nVent ERIFLEX delivers low voltage power distribution solutions that reduce total installed cost and increase design flexibility by providing a comprehensive range of innovative and reliable products through global end user application expertise.**

**NVENT ERIFLEX ENGINEERING SUPPORT**

nVent ERIFLEX engineering experts can support your system design, provide technical and configuration advice, and help quote your complete low voltage power solution.

Trusted nVent solutions include: nVent ERIFLEX Flexibar Advanced, Braids and IBS/IBSB Advanced – all designed to meet your most challenging panel design and production requirements.

